

# MODULYS XS

The ultimate modularity for the most critical environments  
from 2.5 to 20 kVA/kW



GAMME 57/6 EFPS



View our video  
to discover more

Designed with no single point of failure, the MODULYS XS offers high availability and redundant power supply to very critical applications.

With its flexible modularity providing seamless and risk-free power scalability up to 20 kW, the MODULYS XS range is the ideal solution for unscheduled site upgrades or incremental power evolutions. The installed power can be increased up to 20 kW by adding hot-swap plug-in power modules for incremental steps of either 2.5 kW or 5 kW.

## Fully modular system

- Pluggable and hot-swapped power module with system's self-setting during installation.
- All the modules can be swapped without switching to external manual bypass.
- Hot swappable battery module designed to be installed with power module in the same UPS enclosure.

## 'Forever Young' concept

- Eliminates end-of-life criticality.
- Module compatibility guaranteed for 20+ years.
- Allows for the implementation of future module technology.

## Totally redundant design

- N+1, N+X redundancy level.
- Totally independent power modules to avoid any single point of failure.
- Real selective module disconnection with galvanic separation.
- Distributed parallel control.

## Enhanced serviceability performance

- Fast & safe maintenance based on hot-swap modules.
- Designed for concurrent maintenance.

## The solution for

- > Small data centres
- > Edge data centres
- > Branch office
- > Computer networks
- > Telecom & media nodes
- > Light industrial applications
- > Transportation control/signals

## Strong points

- > Fully modular system
- > Totally redundant design
- > 'Forever Young' concept
- > Enhanced serviceability performance

## Compliance with standards

- > IEC 62040-1
- > IEC 62040-2
- > EN 50581
- > IEC 63000

## Certifications and attestations



MODULYS XS is certified by TÜV SÜD with regard to product safety (EN 62040-1)



## Advantages



Ready for Li-Ion battery

## SoLive UPS



## Standard electrical features

- Dual input mains.
- Built-in backfeed protection.
- EPO (Emergency Power Off).
- EBS (Expert Battery System) for battery management.
- Tropicalised (Conformal Coating) boards.

## Standard communication features

- User-friendly 7" touch-screen multilingual colour graphic display (MC models).
- LCD multilingual graphic display (RM models).
- 2 slots for communication options.
- USB port to download UPS report and log file.
- Ethernet port for service purpose.

## Communication options

- Dry-contact interface (configurable voltage-free contacts).
- MODBUS RTU RS485 or MODBUS TCP.
- BACnet/IP interface.
- NET VISION: professional WEB/SNMP Ethernet interface for secure UPS monitoring and remote automatic shutdown.
- IoT gateway for Socomec cloud services and SoLive UPS mobile app.
- Remote touch-screen panel.

## Remote monitoring and cloud services

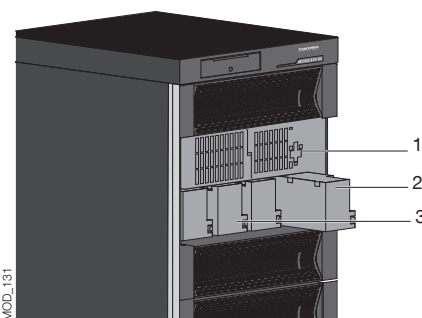
- SoLink: Socomec 24/7 remote monitoring service connecting your installation to the nearest Socomec Service Centre.
- SoLive UPS: mobile app enabling the monitoring of the UPS systems from a smartphone.

## Technical data

MODULYS XS <sup>(1)</sup>					
<b>UPS SYSTEM</b>					
Model	MC		RM		
Power slot	9	6	4	3	
Power (Sn)	up to 20 kVA			up to 15 kVA	
Power (Pn)	up to 20 kW			up to 15 kW	
Power factor	1				
Number of power modules	4			3	
Input/Output	X/1				
Redundant configuration	N+x				
<b>INPUT</b>					
Rated voltage	230 V 1ph+N (±20%), 400 V 3ph+N (±20%)				
Frequency	50/60 Hz ±2% (±0.1% in battery mode)				
Power factor	> 0.99				
<b>OUTPUT</b>					
Voltage	230 V (1ph) ± 3% (can be set 208/220/240 V)				
Frequency	50/60 Hz ±2% (±0.1% in battery mode)				
Overload	110% for 1 minutes, 130% for 10 seconds, 200% for 5 cycles				
<b>BYPASS</b>					
Voltage	rated output voltage ±15%				
Frequency	50/60 Hz ±2% (configurable for GenSet compatibility)				
<b>EFFICIENCY</b>					
Online double conversion mode	up to 92.8%				
<b>ENVIRONMENT</b>					
Ambient temperature	0 to 40 °C (15 to 25 °C for maximum battery life)				
Relative humidity	0 to 95% without condensation				
Maximum altitude	2000 m without derating				
<b>UPS CABINET</b>					
Display	7" touch			3.5"	
Dimensions (mm)	W	550	550	449	449
	D	635	635	570	570
	H	1460	1060	708	575
Weight (kg) (empty cabinet)	120	90	50	44	
Colour	RAL 7016				
Degree of protection	IP20				
<b>STANDARDS</b>					
Safety	IEC 62040-1: 2017 (CB Report)				
EMC	IEC 62040-2: 2005				
Product declaration	CE, RCM (E2376), UKCA, EAC				

(1) Longer back-up time available on demand.

## Unit dimensions and weights



1. Plug-in Power Module
2. Plug-in Battery Module
3. Plug-in Battery Pack

POWER MODULES		
Power (kVA/kW)	2.5	5
Input/Output	1/1	X/1
Dimensions (mm) W x D x H	446x475x131	446x475x131
Weight (kg)	14	18

BATTERY MODULE	
Battery voltage	48 V
Dimensions (mm) W x D x H	446x475x131
Weight (kg)	10

BATTERY PACK	
Type	sealed lead-acid (normal-life & long-life)
Battery voltage	48 V
Weight (kg)	9

# MODULYS XS

Single-phase UPS

from 2.5 to 20 kVA/kW

MODULYS XS MC:  
for critical IT & non-IT applications



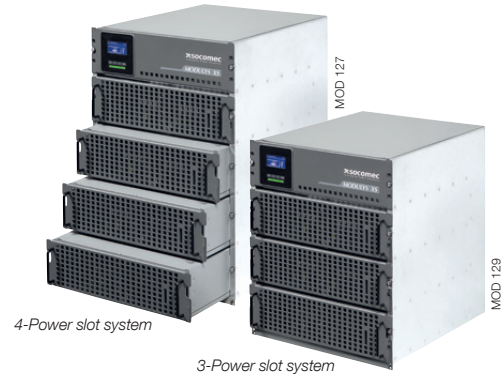
## Total resilience

- Electronics-free (failure-free) cabinet.
- Totally independent and self-sufficient power modules.
- No centralised control for parallel and load sharing management.

## Maximum availability

- Fast recovery of lost redundancy thanks to minimum MTTR (Mean Time To Repair).
- No risk of downtime during power upgrading and maintenance.
- No risk of failure propagation.

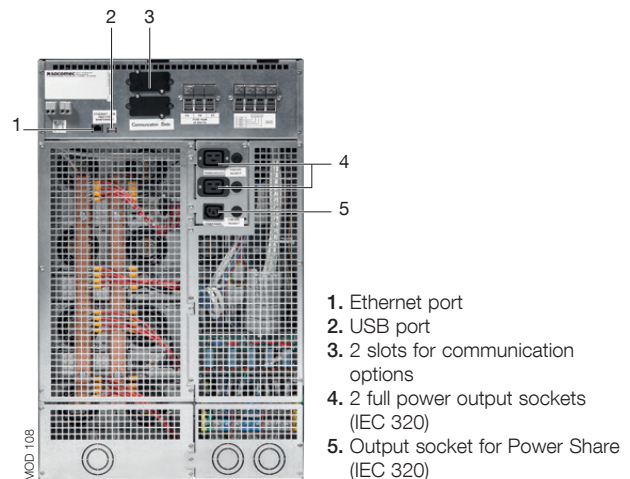
MODULYS XS RM:  
for integration in 19" rack cabin



## Easy to integrate

- Specifically designed for integration in 19" standard rack cabinets.
- Adjustable rails and mounting accessories.
- Easy to manage, integrate and customise.
- Flexible simplified cabling

## Compact sub-rack enclosure

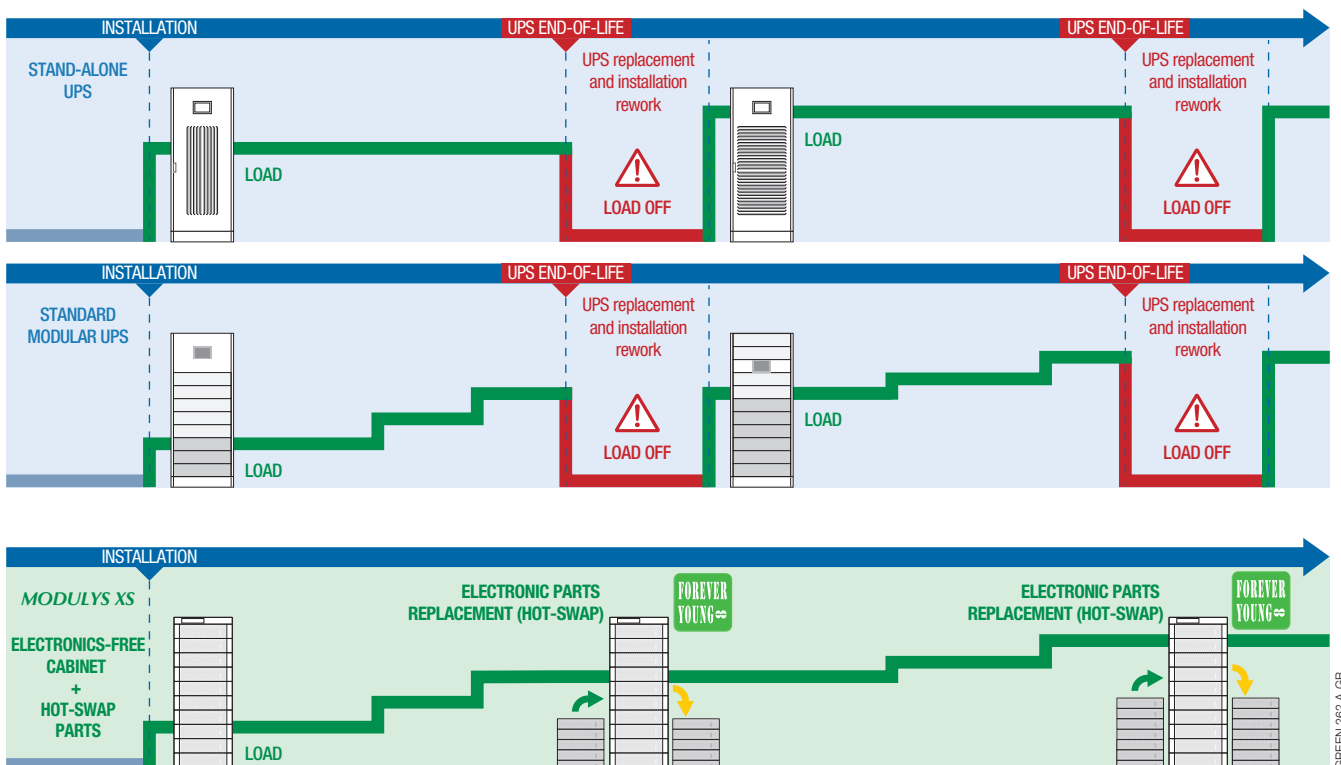


## On-demand solution

For long back-up time, MODULYS XS system can be equipped with high capacity battery for your specific requirement. To discover more, please contact your Socomec expert.

## MODULYS XS "Forever Young" concept

- It eliminates issues surrounding the criticality of the UPS system's end-of-life.
- It is based on:
  - a modular, electronics-free UPS cabinet - thus failure-free and with no ageing,
  - plug-in components - quick and easy to replace avoiding ageing issues.
- It allows the life-cycle of the MODULYS XS to be extended via periodic hot-swap replacement of power modules and other electronic parts before they start to age and wear out.
- Each renewal:
  - ensures a new start for the MODULYS XS system's life-cycle,
  - avoids all the problems and risks associated with substituting the UPS,
  - provides an always up-to-date system, as the new parts will incorporate the latest technology.



GREEN 262 A GB