

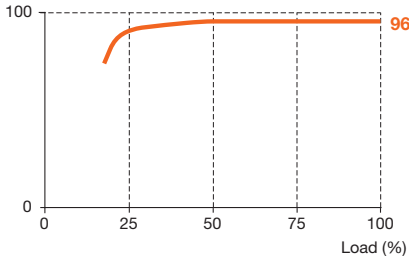
MASTERYS MC

from 100 to 120 kVA
for critical IT application

Low Total Costs of Ownership

- High efficiency.

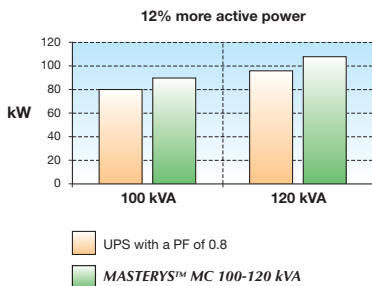
Efficiency (%)



- Input power factor close to one.
- Wide input voltage range.
- High performances with "non linear" loads.
- Reduced footprint.
- Reduced installation costs.
- Reduced maintenance costs.
- Front access and wall backed solution.
- Smart battery management (EBS).

Cutting edge design

- Designed to work with latest-generation servers.



- Smart topology for reduced switching losses.
- Precise, interference-free load supply (Online double conversion with DSP digital control).

Availability

- Uptime maximisation.
- Redundant parallel.
- Enhanced overload capacity.
- The high UPS short circuit capability allows for enhanced downstream fault discrimination.
- Genset compatibility:
Wide range of input voltage and frequency for full compatibility with genset operation. Full communication compatibility between Genset and UPS via GSS interface.
- Back feed protection:
Arrangement for back feed protection according to EN 62040-1-1, internal or external.

Fault tolerance and high reliability

- Modularity for 1+1 redundancy.
- Intelligent component cooling.
- Limited thermal stress and longer life of the components.
- Multiprocessor control.
- Fully suitable together with STS architectures.

Easy, user friendly operation

- User friendly.
- Intuitive graphical LCD display.
- Embedded LAN.
- 2000 events logs.
- Built-in separate input mains.

Fully customisable

- Input and/or output transformer.
- Battery cabinets (normal life-long life).
- Additional battery charger.
- Internal back feed protection.
- Lighting surge arrestor (high level of immunity).
- Remote mimic panel.

Robustness

- Steel frame.
- High overload capacity in all operating conditions.



The MASTERYS MC 100-120 kVA series is certified by TÜV SÜD with regard to product safety (EN 62040-1-1) and efficiency values (EN 62040-3)

Your protection for

- > Data centers
- > Telecommunications
- > Service Sector

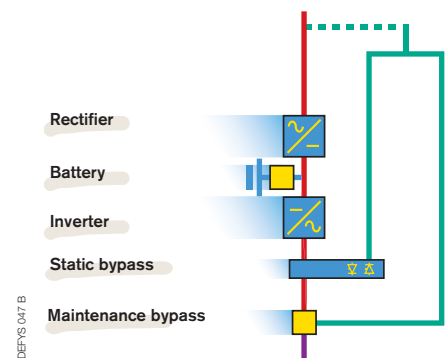


UPS and batteries

Model	Input/output	KVA	Back-up time std	Battery cabinet	
				Size (mm)	Weight (kg)
MC+100	3 / 3	100	10	800 x 830 x 1930	1150
MC+120	3 / 3	120	8	800 x 830 x 1930	1150

With typical load.

Common or separate input



Technical data

Sn (kVA)	100	120
Pn (kW)	90	108
INPUT		
Rated voltage	400V 3ph + N	
Voltage tolerances	±20% without declassing, -40% with 50% of Pn	
Input frequency	50/60 Hz ± 10%	
Power factor/THDI	> 0.99 / < 3%	
OUTPUT		
Voltage	400V 3ph + N ±1% (380/415 configurable)	
Voltage tolerance	static load ±1% dynamic load in accordance with VFI-SS-111	
Frequency	50/60 Hz ±2% (configurable with generator from 1% to 8%)	
Automatic bypass	rated voltage output ±15% (configurable with generator from 10% to 20%)	
Total harmonic voltage distortion	< 1% with linear load / < 3% with nonlinear load	
Overload @ p.f. 0.9	125% for 5 minutes / 150% for 30 seconds	
Crest factor	3:1 (in accordance with (EN) IEC 62040-3)	
EFFICIENCY		
Online mode (TÜV SÜD certified)	95.8% @ 50% of load 95.5% @ full load	95.9% @ 50% of load 95.2% @ 100% @ full load
ECO MODE	98%	
ENVIRONMENT		
Operating ambient temperature	0 °C to + 40 °C (from 15 °C to 25 °C for maximum battery life)	
Relative humidity	0% - 95% without condensation	
Maximum altitude	1000 m without declassing (max. 3000 m)	
Noise level (ISO 3746)	< 65 dB (A)	
Weight	400 kg	
UPS CABINET		
Dimensions (L x D x H) [mm]	700 x 800 x 1930	
Protection grade	IP 20 (IP 30 optional)	
Colour	RAL 7012, silver grey frontal door	
STANDARDS		
Safety	EN62040-1-1 (TÜV SÜD certified), EN60950-1-1	
Performance	EN62040-3 (VFI-SS-111)	
EMC standard	EN62040-2	
Product certification	CE	
IP rating	IEC 60529	

Standard communication equipment

- RS 232 / 485 serial port.
- RS 232 serial port for modem.
- Integrated LAN interface.
- 3 auxiliary interface slots.

Standard electrical equipment

- Integrated maintenance bypass.
- Double input network.
- External backfeed control.

Electrical options

- External maintenance bypass.
- Extended autonomy.
- Additional battery chargers.
- Isolation transformer.
- **ACS** synchronisation system [Info p. 70 and p. 74].
- Integrated backfeed protection.

Communication options

- Remote panel.
- ADC interface (configurable voltage-free contacts).
- **GSS** interface (generator management).
- **UNI VISION PRO** remote control and shutdown software [Info p. 93].
- **NET VISION** WEB / SNMP manager interface for connecting the UPS system to the LAN / WAN network [Info p. 93].

Remote maintenance

- **T.SERVICE** program for continuous monitoring of **MASTERYS** with the SOCOMEC UPS maintenance service [Info p. 110].