

VRLA battery cabinets

The value of your back-up time
from 10 to 900 kVA



Complementary pages

- > DELPHYS BC
- > DELPHYS GP
- > DELPHYS EF
- > DELPHYS MP Elite+
- > DELPHYS MX
- > MASTERYS BC+
- > MASTERYS BC+ FLEX
- > MASTERYS GP4
- > MASTERYS GP4 RACK
- > MASTERYS IP+
- > MASTERYS EM+
- > MODULYS GP
- > MOLDULYS RM GP
- > MODULYS XS
- > MODULYS XL

Total protection during downtime

- Designed to satisfy and respect safety protection standards.
- The right size of protection device tailored to your power rating.
- Robust cabinet.
- Normal and long-life batteries.
- Compatible with different battery brands.
- Chemical safety means shelves protected against corrosion of H_2SO_4 that can cause risks of electric shock and short circuit (fire).
- Designed according to the specific UPS model for easy connections, correct recharge current and appropriate discharge rating to optimize battery life.
- Modular hot-swap battery cabinets with string protection and individual string disconnection.

Easy installation and maintenance

- Frontal switch/breaker protection.
- Frontal input output connections.
- Easy battery replacement.
- Suitable for rigid cables and cable-glands.
- Suitable for tripping coil contact (on request).
- Height aligned with UPS.

Electrical protection coordination for your safety

Battery protection is essential for safety. We perform tests in our laboratories under abnormal conditions (i.e. short-circuit) to guarantee the maximum safety for the installation.

As batteries can cause fire if the protection is not adequate, we test all battery protections in real operating conditions.

- Switch/Breaker with fuse.
- Magnetothermal MCCB.

The protective devices are sized according to the UPS and to the battery short-circuit current.

Technical data

Standard degree of protection	IP20 (according to IEC 60529)
Optional degree of protection	IP32 ⁽¹⁾
Operating temperature	0 ÷ 40 °C (+15 ÷ +25 °C recommended for long battery life ⁽¹⁾)
Ambient storage and transport temperature	-5 °C ÷ +40 °C max (recommended: 25 °C)
Relative humidity (condensation-free)	up to 95%
Product declaration	CE

(1) Versions with a higher degree of protection and versions with a wider operating temperature range are available on request.

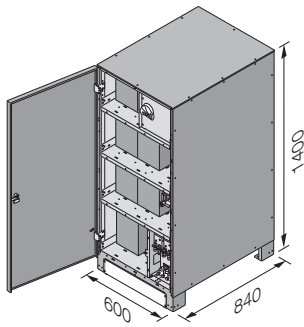
Please contact SOCOMEC for specific battery brands and custom solutions.

VRLA battery cabinets

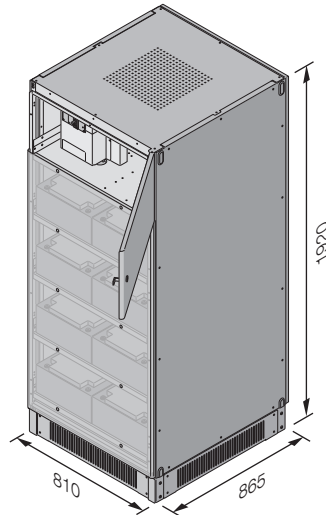
The value of your back-up time
from 10 to 900 kVA

Dimensions⁽¹⁾

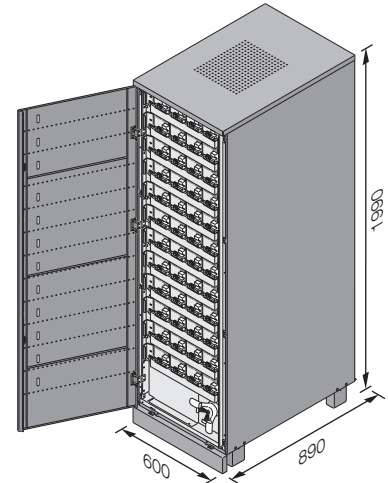
Small Masters battery cabinet



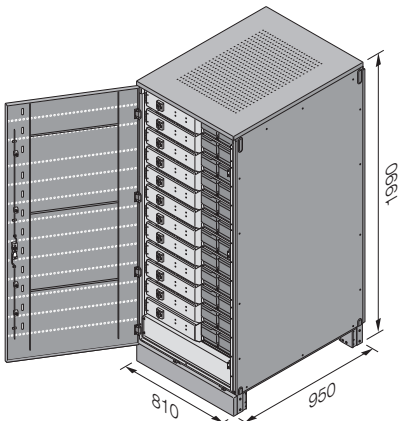
Masters and Delphys battery cabinet



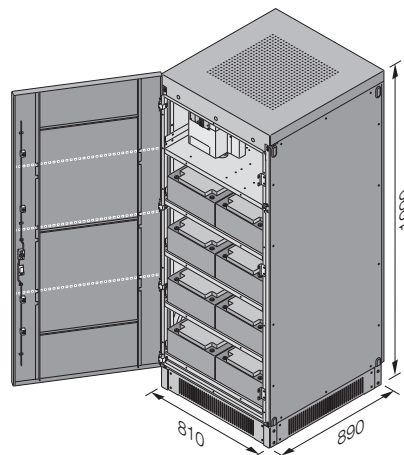
Modular hot-swap battery cabinet - small capacity



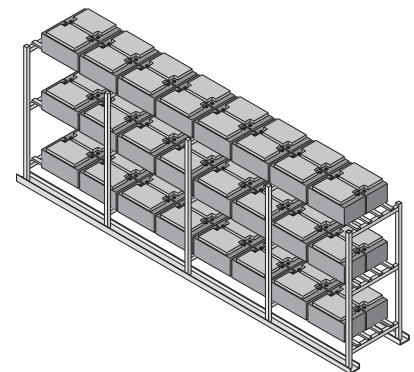
Modular hot-swap battery cabinet - medium capacity



Modular battery cabinet - large capacity



Battery Rack



⁽¹⁾ The dimensions specified refer to standard battery cabinets.
Custom solutions are available on request. Please check with your local sales office.